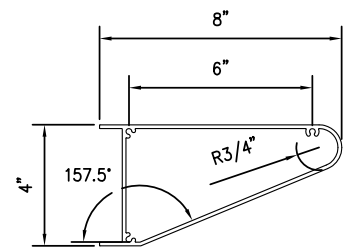
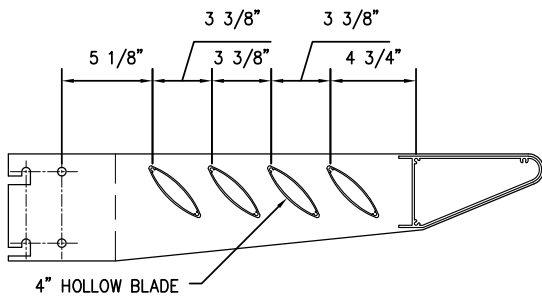


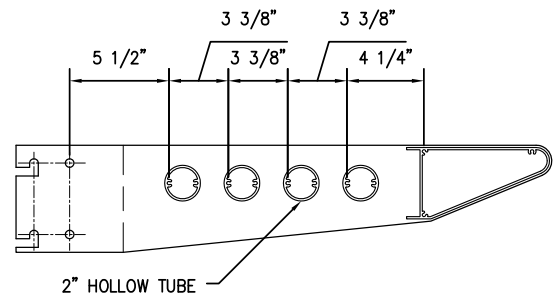
30" X 6" BULL NOSE OUTRIGGER  
SCO40006-30



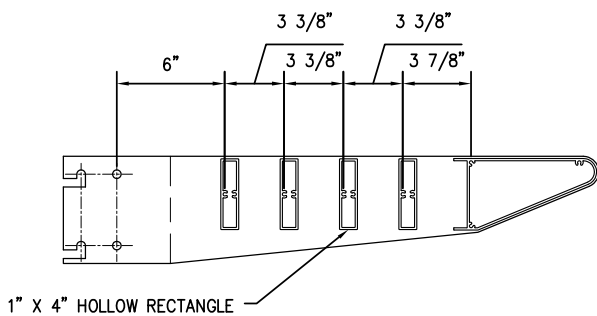
8" X 4" FASCIA - BULL NOSE  
SCF40804



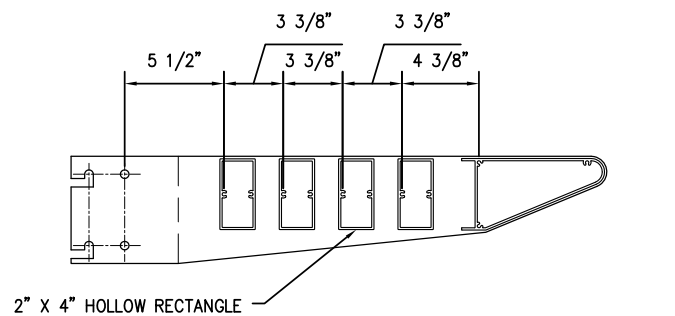
30" X 6" BULL NOSE OUTRIGGER WITH 4" HOLLOW BLADE INFILL  
SCHA4514484-30



30" X 6" BULL NOSE OUTRIGGER WITH 2" HOLLOW TUBE INFILL  
SCHA4202484-30



30" X 6" BULL NOSE OUTRIGGER WITH 1" X 4" HOLLOW RECTANGLE INFILL  
SCHA4314484-30



30" X 6" BULL NOSE OUTRIGGER WITH 2" X 4" HOLLOW RECTANGLE INFILL  
SCHA4324484-30

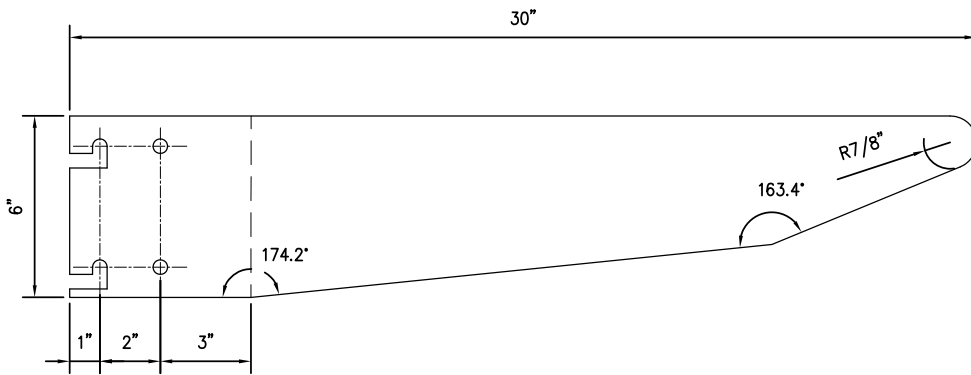
API Recommends that this note appear with storefront elevations and section view details in your blueprints.

Storefront and related materials provided by American Products, Inc. (API). No substitutions without written consent from store owner/Architect. API (813) 925-0144

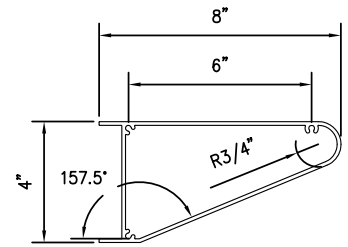
Customer: API	
Assembly: SUN CONTROL - 30" X 6" BULL NOSE	
Drawn By: GB	Date: 05/31/13
Revision:	Date:
Scale: N.T.S	Sheet: 1 of 4



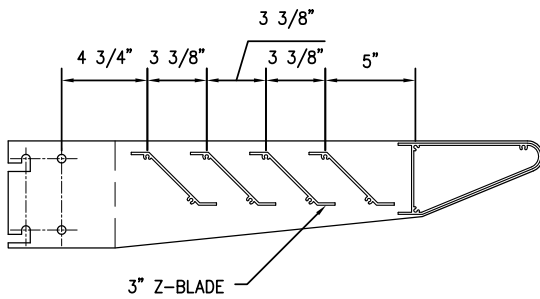
AMERICAN PRODUCTS, INC. (API)  
12157 W. LINEBAUGH AVENUE #335  
TAMPA, FL 33626  
CONTACT: KERRI BEALS  
PH (813) 925-0144  
WWW.AMERICANPROD.COM



30" X 6" BULL NOSE OUTRIGGER  
SC040006-30



8" X 4" FASCIA - BULL NOSE  
SCF40804



30" X 6" BULL NOSE OUTRIGGER WITH 3" Z-BLADE INFILL  
SCHA4653484-30

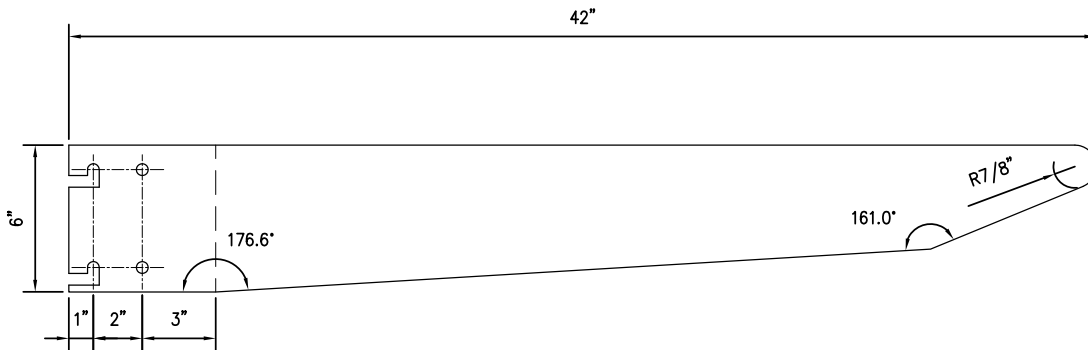
API Recommends that this note appear with storefront elevations and section view details in your blueprints.

Storefront and related materials provided by American Products, Inc. (API). No substitutions without written consent from store owner/Architect. API (813) 925-0144

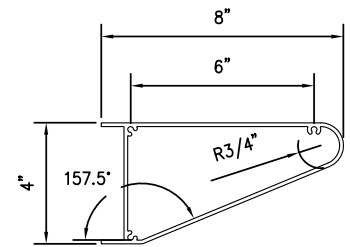
Customer: API	
Assembly: SUN CONTROL - 30" X 6" BULL NOSE	
Drawn By: GB	Date: 05/31/13
Revision:	Date:
Scale: N.T.S	Sheet: 2 OF 4



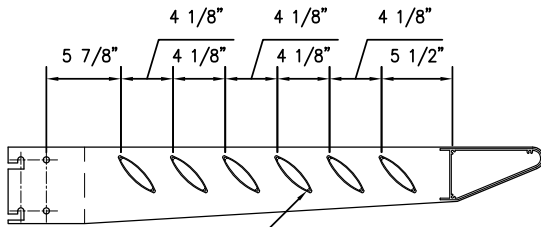
AMERICAN PRODUCTS, INC. (API)  
12157 W. LINEBAUGH AVENUE #335  
TAMPA, FL 33626  
CONTACT: KERRI BEALS  
PH (813) 925-0144  
WWW.AMERICANPROD.COM



42" X 6" BULL NOSE OUTRIGGER  
SCO40006-42

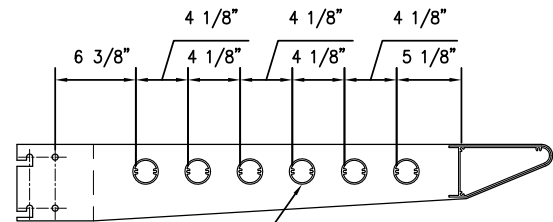


8" X 4" FASCIA - BULL NOSE  
SCF40804



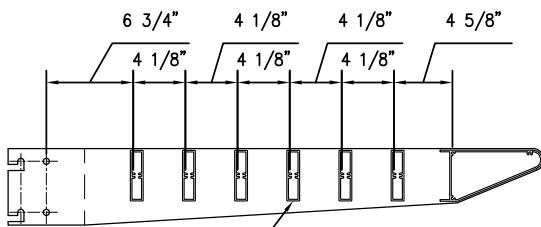
4" HOLLOW BLADE

42" X 6" BULL NOSE OUTRIGGER WITH 4" HOLLOW BLADE INFILL  
SCHA4514484-42



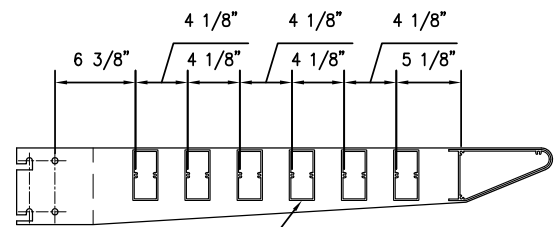
2" HOLLOW TUBE

42" X 6" BULL NOSE OUTRIGGER WITH 2" HOLLOW TUBE INFILL  
SCHA4202484-42



1" X 4" HOLLOW RECTANGLE

42" X 6" BULL NOSE OUTRIGGER WITH 1" X 4" HOLLOW RECTANGLE INFILL  
SCHA4314484-42



2" X 4" HOLLOW RECTANGLE

42" X 6" BULL NOSE OUTRIGGER WITH 2" X 4" HOLLOW RECTANGLE INFILL  
SCHA4324484-42

API Recommends that this note appear with storefront elevations and section view details in your blueprints.

Storefront and related materials provided by American Products, Inc. (API). No substitutions without written consent from store owner/Architect. API (813) 925-0144

Customer: API

Assembly: SUN CONTROL - 42" X 6" BULL NOSE

Drawn By: GB

Date: 05/31/13

Revision:

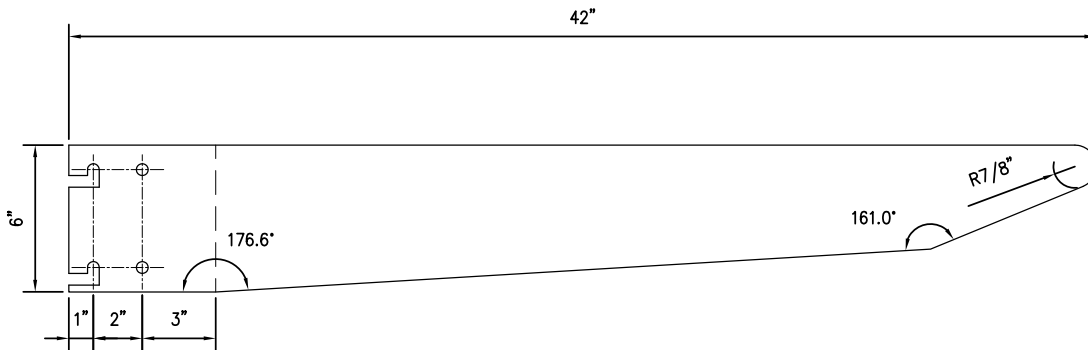
Date:

Scale: N.T.S

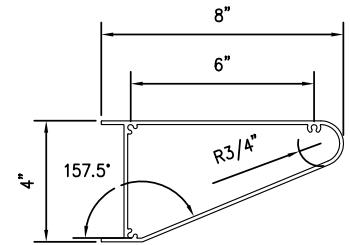
Sheet: 3 OF 4



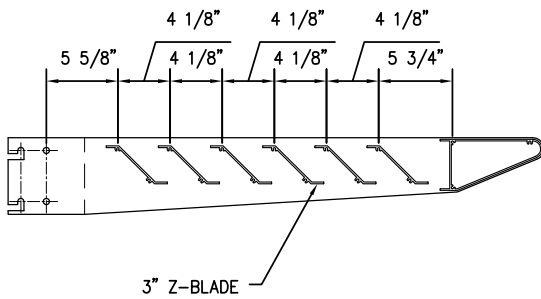
AMERICAN PRODUCTS, INC. (API)  
12157 W. LINEBAUGH AVENUE #335  
TAMPA, FL 33626  
CONTACT: KERRI BEALS  
PH (813) 925-0144  
WWW.AMERICANPROD.COM



42" X 6" BULL NOSE OUTRIGGER  
SCO40006-42



8" X 4" FASCIA - BULL NOSE  
SCF40804



42" X 6" BULL NOSE OUTRIGGER WITH 3" Z-BLADE INFILL  
SCHA4653484-42

API Recommends that this note appear with storefront elevations and section view details in your blueprints.

Storefront and related materials provided by American Products, Inc. (API). No substitutions without written consent from store owner/Architect. API (813) 925-0144

Customer: API	
Assembly: SUN CONTROL - 42" X 6" BULL NOSE	
Drawn By: GB	Date: 05/31/13
Revision:	Date:
Scale: N.T.S	Sheet: 4 OF 4



AMERICAN PRODUCTS, INC. (API)  
12157 W. LINEBAUGH AVENUE #335  
TAMPA, FL 33626  
CONTACT: KERRI BEALS  
PH (813) 925-0144  
WWW.AMERICANPROD.COM