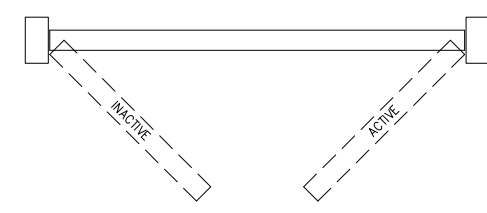
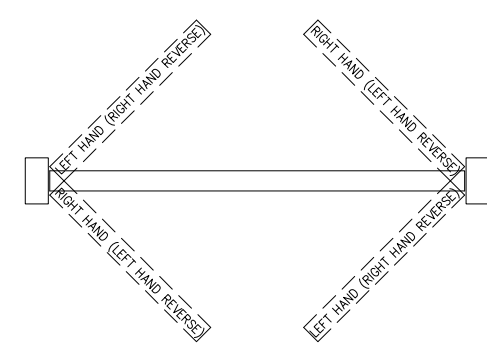
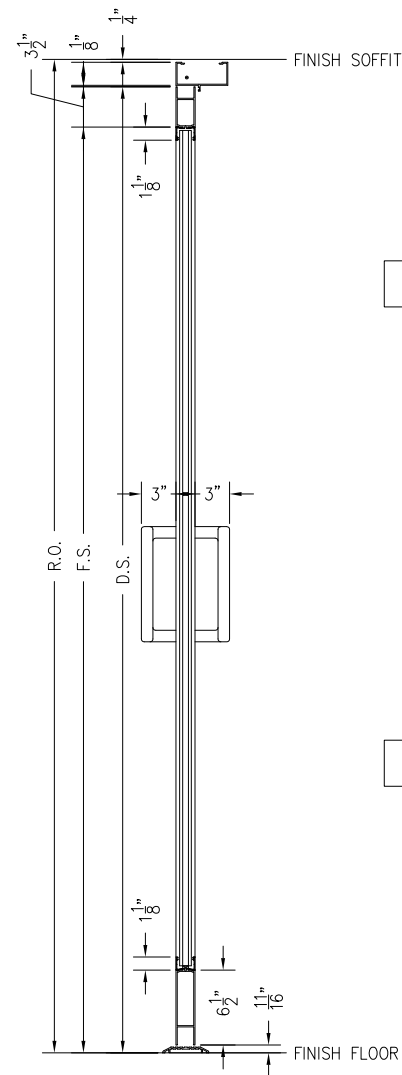
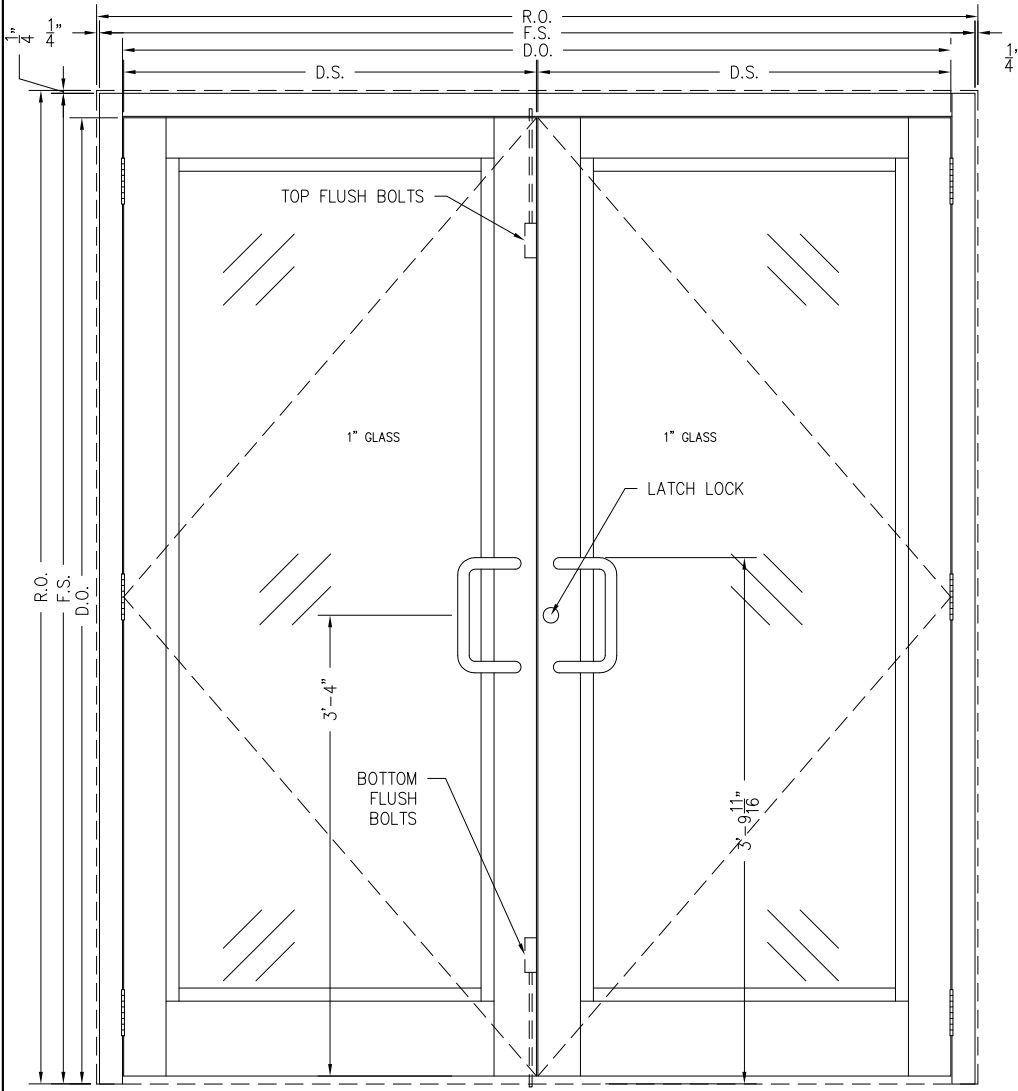


MEDIUM STILE DOOR  
 VERTICAL STILE: 3-1/2"  
 TOP RAIL: 3-1/2"  
 BOTTOM RAIL: 6-1/2"

NOTE: 10" BOTTOM RAIL AVAILABLE AS NEEDED PER ADA REQUIREMENTS.  
 STANDARD HARDWARE APPLICATION.  
 DOORS OVER 9' CARRY NO WARRANTY.



API Recommends that this note appear with storefront elevations and section view details in your blueprints.

Storefront and related materials provided by American Products, Inc. (API). No substitutions without written consent from store owner/Architect. API (813) 925-0144

Customer: API	
Assembly: MED. STILE FRAMED DOOR W 1" GLASS	
Drawn By: GB	Date: 01/15/2015
Revision:	Date:
Scale: N.T.S	Sheet: 1



AMERICAN PRODUCTS, INC. (API)  
 12157 W. LINEBAUGH AVENUE #335  
 TAMPA, FL 33626  
 CONTACT: KERRI BEALS  
 PH (813) 925-0144  
 WWW.AMERICANPROD.COM