

API Recommends that this note appear with storefront elevations and section view details in your blueprints.

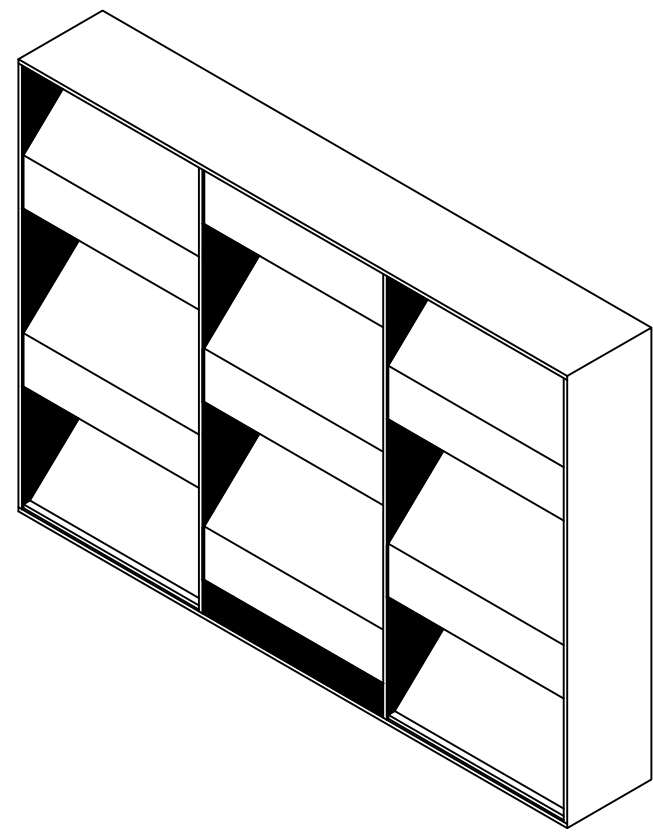
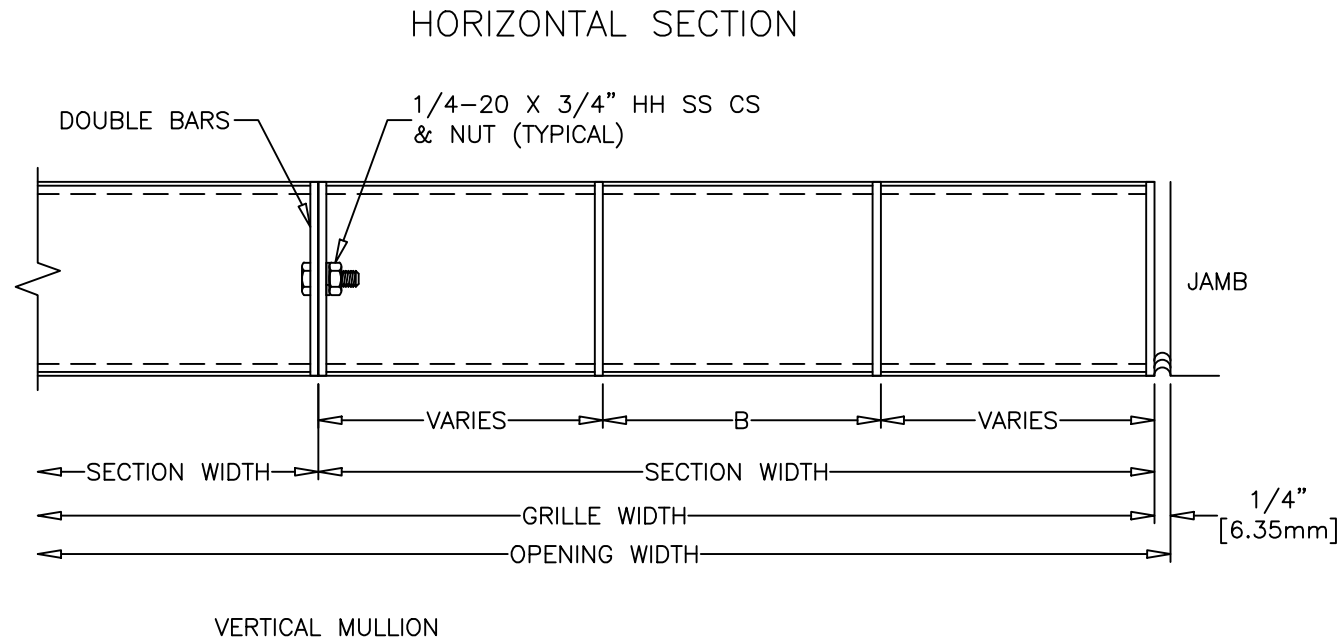
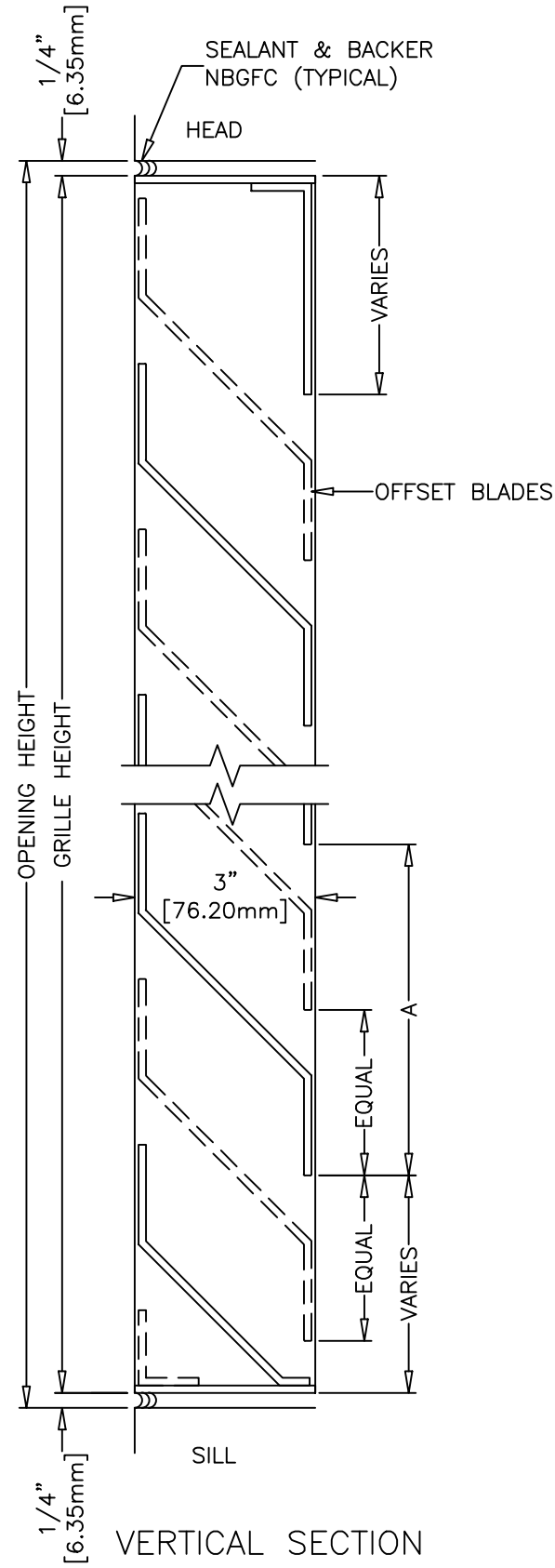
Storefront and related materials provided by American Products, Inc. (API). No substitutions without written consent from store owner/Architect. API (813)925-0144

Customer: API In House
 Assembly: Louver
 Scale: N.T.S
 Drawn By: SW
 Date: 3-11-11

Sheet: 1 of 3



AMERICAN PRODUCTS, INC. (API)
 12157 W. LINEBAUGH AVENUE #335
 TAMPA, FL 33626
 CONTACT: KERRI BEALS
 PH (813)925-0144
 WWW.AMERICANPROD.COM



API Recommends that this note appear with storefront elevations and section view details in your blueprints.

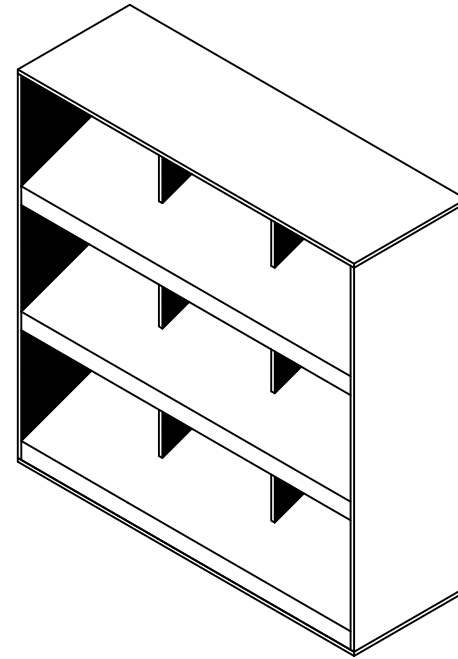
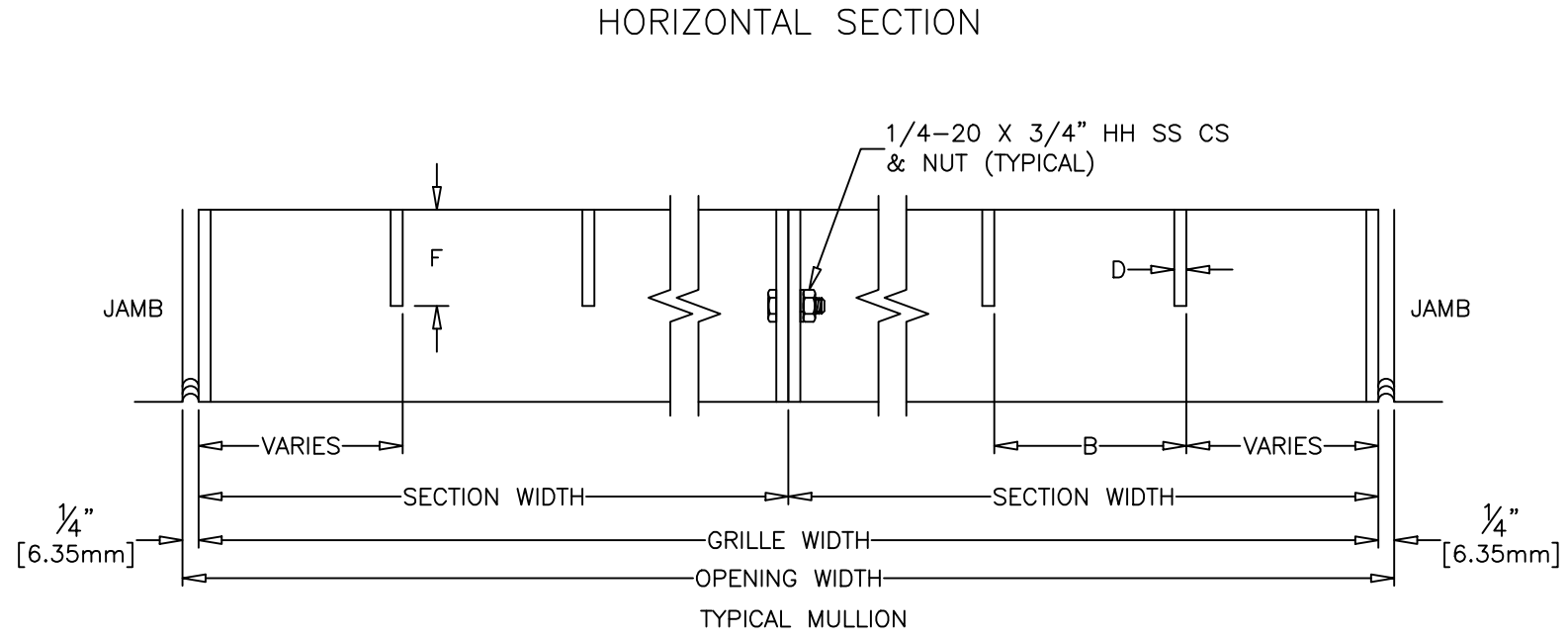
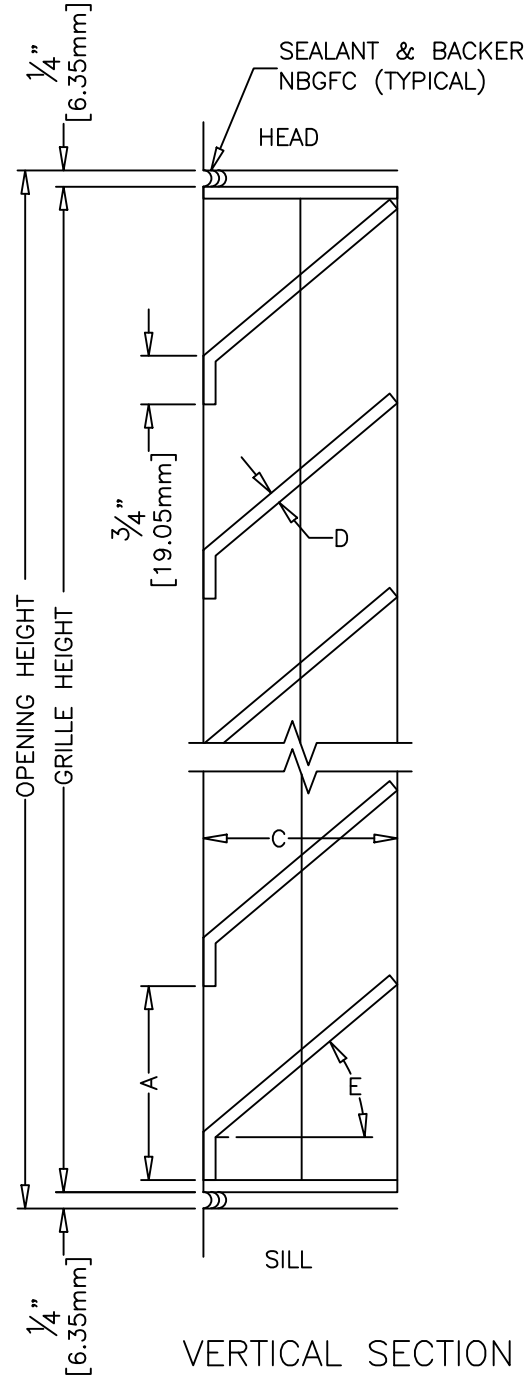
Storefront and related materials provided by American Products, Inc. (API). No substitutions without written consent from store owner/Architect. API (813)925-0144

Customer: API In House
 Assembly: Louver
 Scale: N.T.S
 Drawn By: SW
 Date: 3-11-11

Sheet: 2 of 3	
---------------	--



AMERICAN PRODUCTS, INC. (API)
 12157 W. LINEBAUGH AVENUE #335
 TAMPA, FL 33626
 CONTACT: KERRI BEALS
 PH (813)925-0144
 WWW.AMERICANPROD.COM



API Recommends that this note appear with storefront elevations and section view details in your blueprints.

Storefront and related materials provided by American Products, Inc. (API). No substitutions without written consent from store owner/Architect. API (813)925-0144

Customer: T.B.D
 Assembly: API In House
 Scale: N.T.S
 Drawn By: SW
 Date: 3-11-11

Sheet: 3 of 3



AMERICAN PRODUCTS, INC. (API)
 12157 W. LINEBAUGH AVENUE #335
 TAMPA, FL 33626
 CONTACT: KERRI BEALS
 PH (813)925-0144
 WWW.AMERICANPROD.COM