

AMERICAN PRODUCTS, INC (API)
F1000-SYSTEM FOR 1/4" GLASS

LIST OF MATERIALS:

PART #	DESCRIPTION
F10010	OPEN BACK HEAD/JAMB
F10015	SHALLOW POCKET FILLER
F10020	OPEN BACK HORIZONTAL/SILL
F10025	GLASS STOP
F10050	SILL FLASHING
F10060	CORNER POST (LEFT)
F10065	CORNER POST (RIGHT)
F10075	SLICK CORNER
F10079	4-1/2" SIDELITE BASE
F20045	FLAT FILLER

AVAILABLE FINISHES:

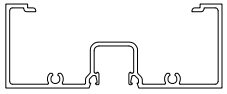
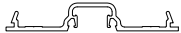
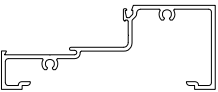


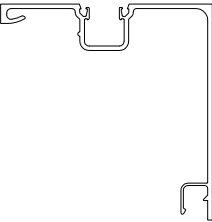
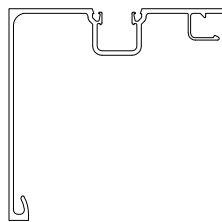
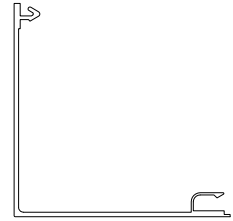
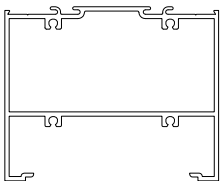

FINISH	API/US	DESCRIPTION
1101	US28	CLEAR ANODIZED
1801	US 313	DARK BRONZE ANODIZED
CLAD	US32D #4	BRUSHED STAINLESS
CLAD	US32 #8	POLISHED STAINLESS

CUSTOM POWDER COAT:
CUSTOM COLORS UPON REQUEST

BASIC ORDERING INFORMATION:

(PART #)-(FINISH CODE)

EXAMPLE: F10015-1101

			
F10010-OPEN BACK HEAD/JAMB	F10015-SHALLOW POCKET FILLER	F10020-OPEN BACK HORIZONTAL/SILL	F10025-GLASS STOP
			
F10050-SILL FLASHING	F10060-CORNER POST (LEFT)	F10065-CORNER POST (RIGHT)	F10075-SLICK CORNER
			
F10079-4-1/2" SIDELITE BASE	F20045-FLAT FILLER		

API Recommends that this note appear with storefront elevations and section view details in your blueprints.

Storefront and related materials provided by American Products, Inc. (API). No substitutions without written consent from store owner/Architect. API (813) 925-0144

Customer: API In House

Assembly: 1-3/4" x 4-1/2" Flush Glaze for 1/4" Glass

Scale: N.T.S.

Drawn By: SMB

Date: 10-02-12

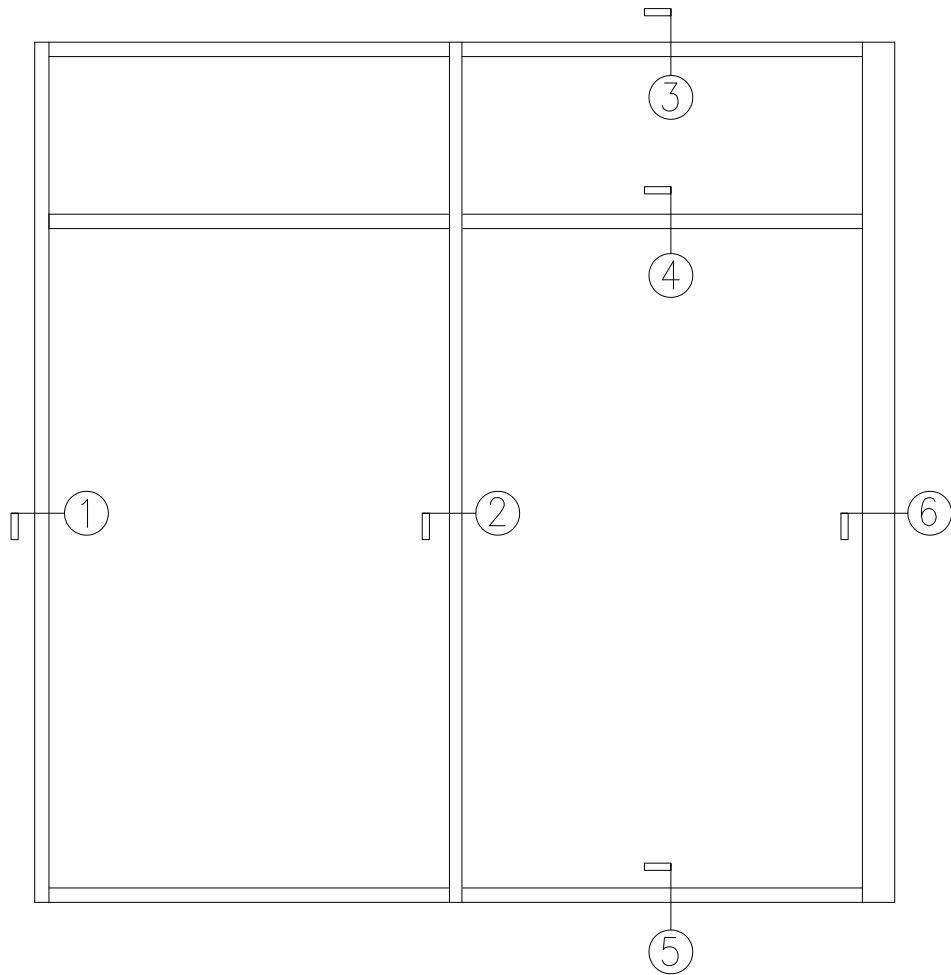
Sheet: Cover



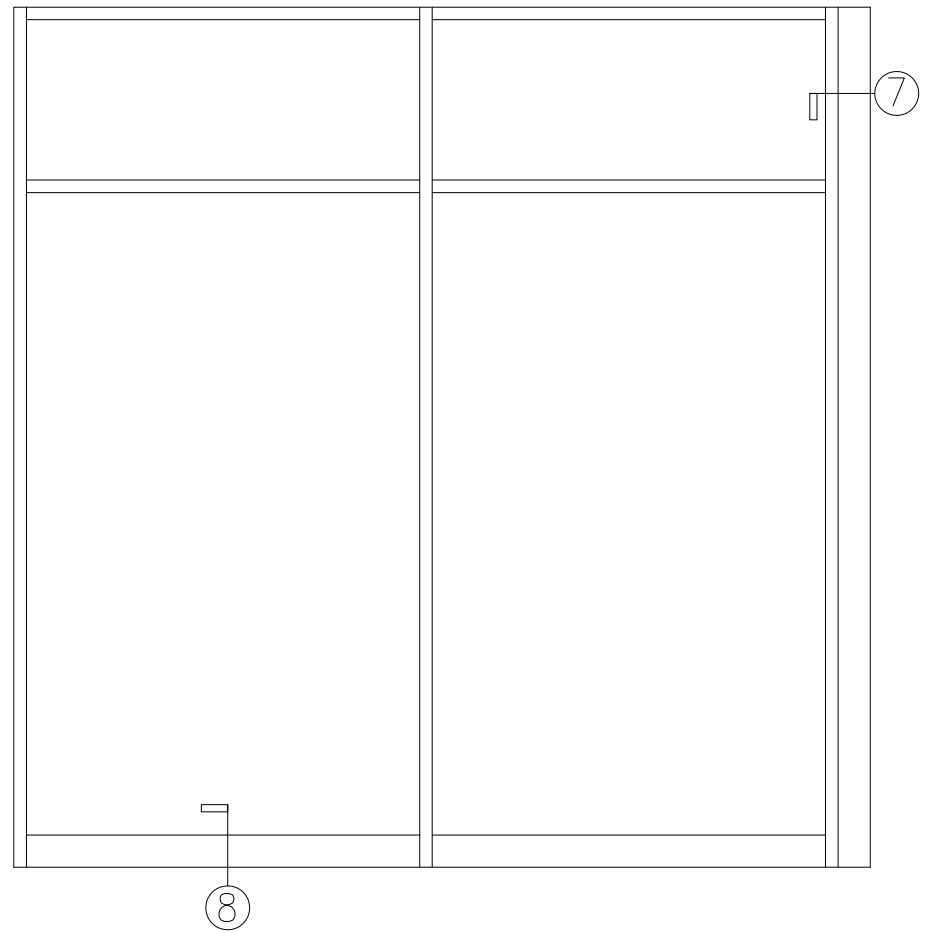
AMERICAN PRODUCTS, INC.

AMERICAN PRODUCTS, INC. (API)
12157 W. LINEBAUGH AVENUE #335
TAMPA, FL 33626
CONTACT: KERRI BEALS
PH (813) 925-0144
WWW.AMERICANPROD.COM

ELEVATION 1



ELEVATION 2



API Recommends that this note appear with storefront elevations and section view details in your blueprints.

Storefront and related materials provided by American Products, Inc. (API). No substitutions without written consent from store owner/Architect. API (813) 925-0144

Customer: API In House

Assembly: 1-3/4" x 4-1/2" Flush Glaze for 1/4" Glass

Scale: N.T.S

Drawn By: SMB

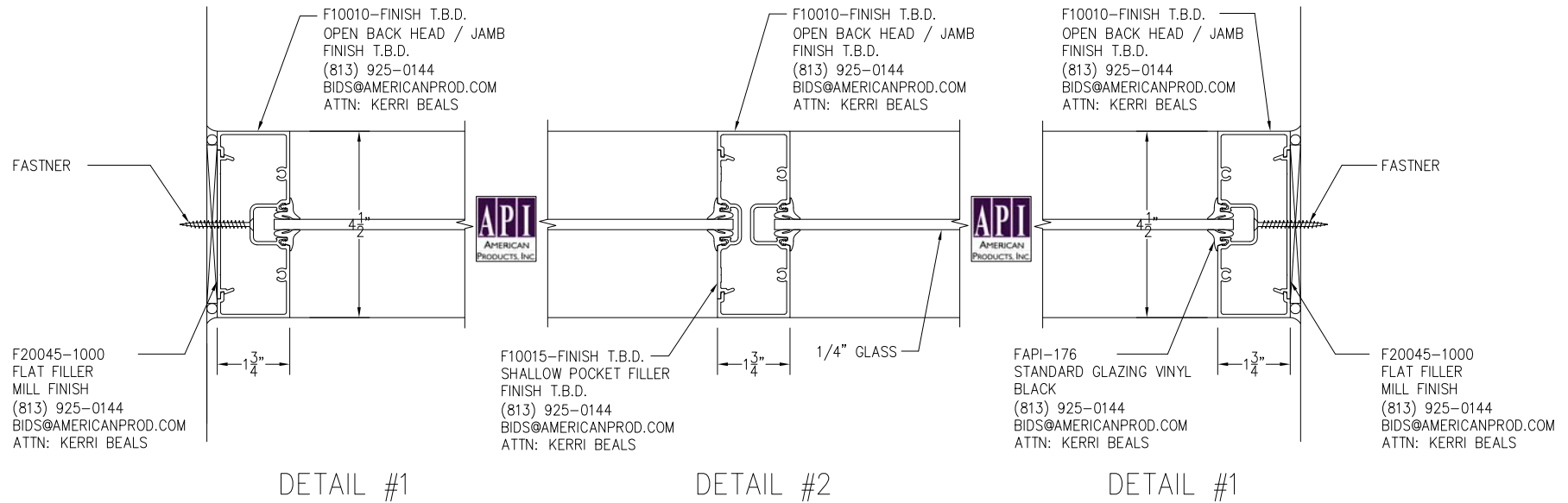
Date: 10-02-12

Sheet: 1 of 9



AMERICAN PRODUCTS, INC. (API)
 12157 W. LINEBAUGH AVENUE #335
 TAMPA, FL 33626
 CONTACT: KERRI BEALS
 PH (813) 925-0144
 WWW.AMERICANPROD.COM

PLAN SECTION WITH INTERMEDIATE VERTICAL



API Recommends that this note appear with storefront elevations and section view details in your blueprints.

Storefront and related materials provided by American Products, Inc. (API). No substitutions without written consent from store owner/ Architect. API (813) 925-0144

Customer: API In House

Assembly: 1-3/4" x 4-1/2" Flush Glaze for 1/4" Glass

Scale: N.T.S.

Drawn By: SMB

Date: 10-02-12

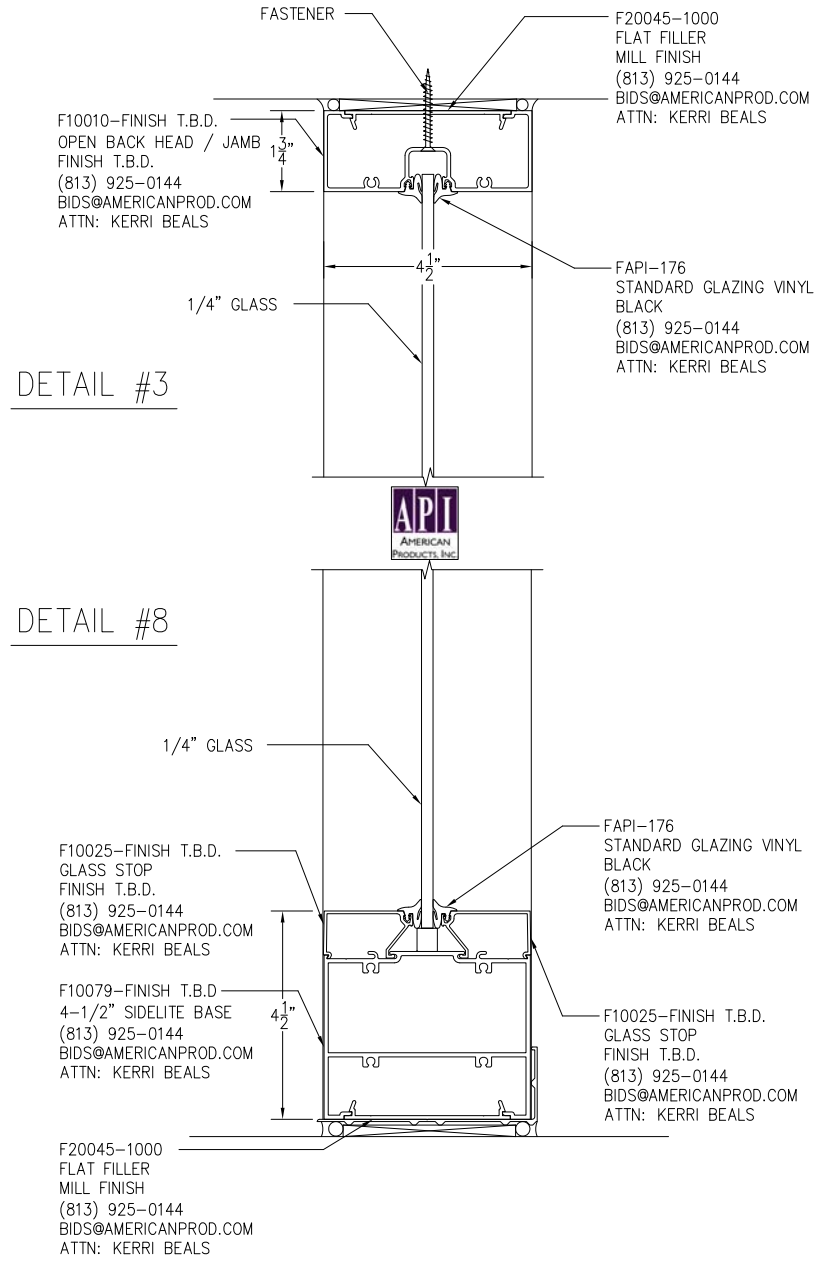
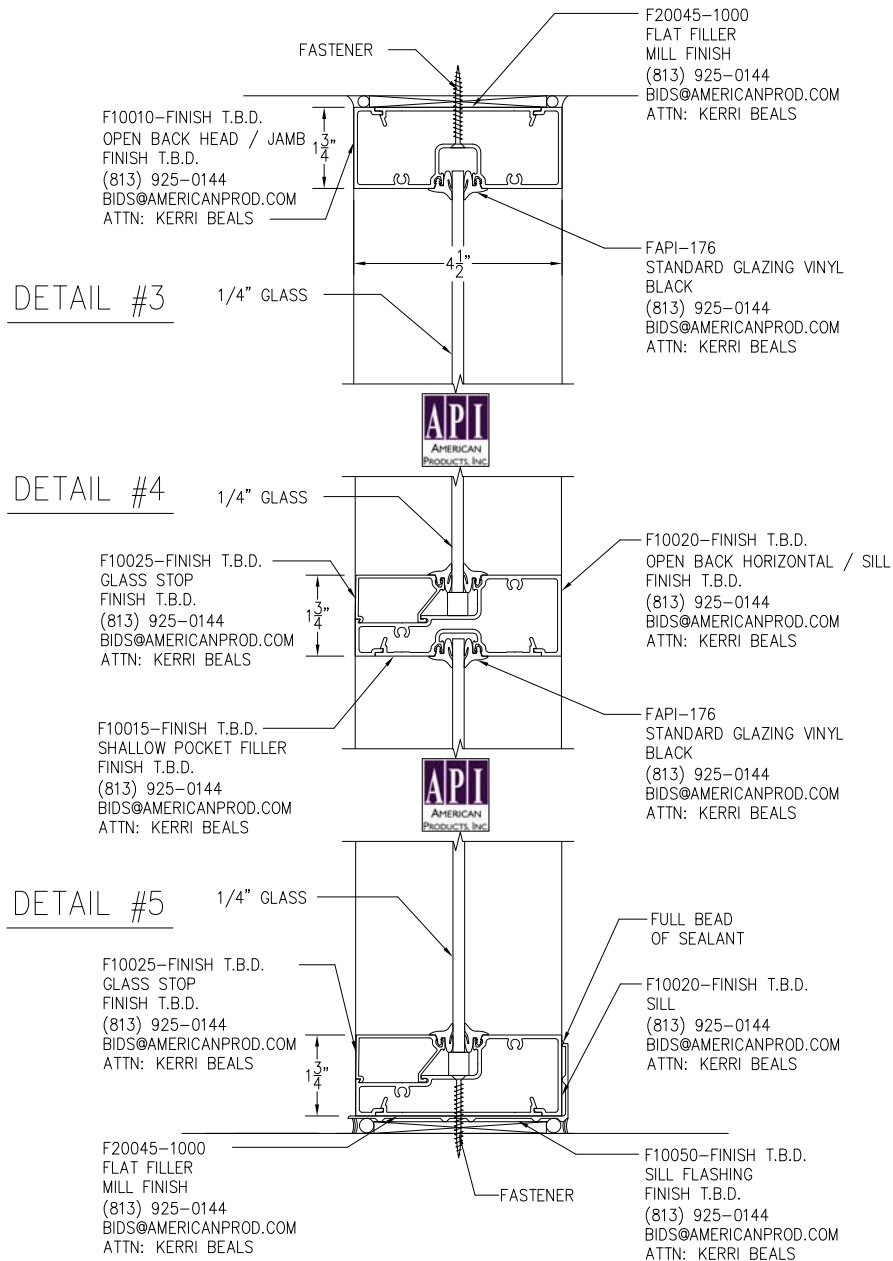
Sheet: 2 of 9



AMERICAN PRODUCTS, INC. (API)
12157 W. LINEBAUGH AVENUE #335
TAMPA, FL 33626
CONTACT: KERRI BEALS
PH (813) 925-0144
WWW.AMERICANPROD.COM

VERTICAL SECTION WITH INTERMEDIATE

VERTICAL SECTION WITH 4-1/2" SIDELITE BASE



API Recommends that this note appear with storefront elevations and section view details in your blueprints.

Storefront and related materials provided by American Products, Inc. (API). No substitutions without written consent from store owner/ Architect. API (813) 925-0144

Customer: API In House

Assembly: 1-3/4" x 4-1/2" Flush Glaze for 1/4" Glass

Scale: N.T.S.

Drawn By: SMB

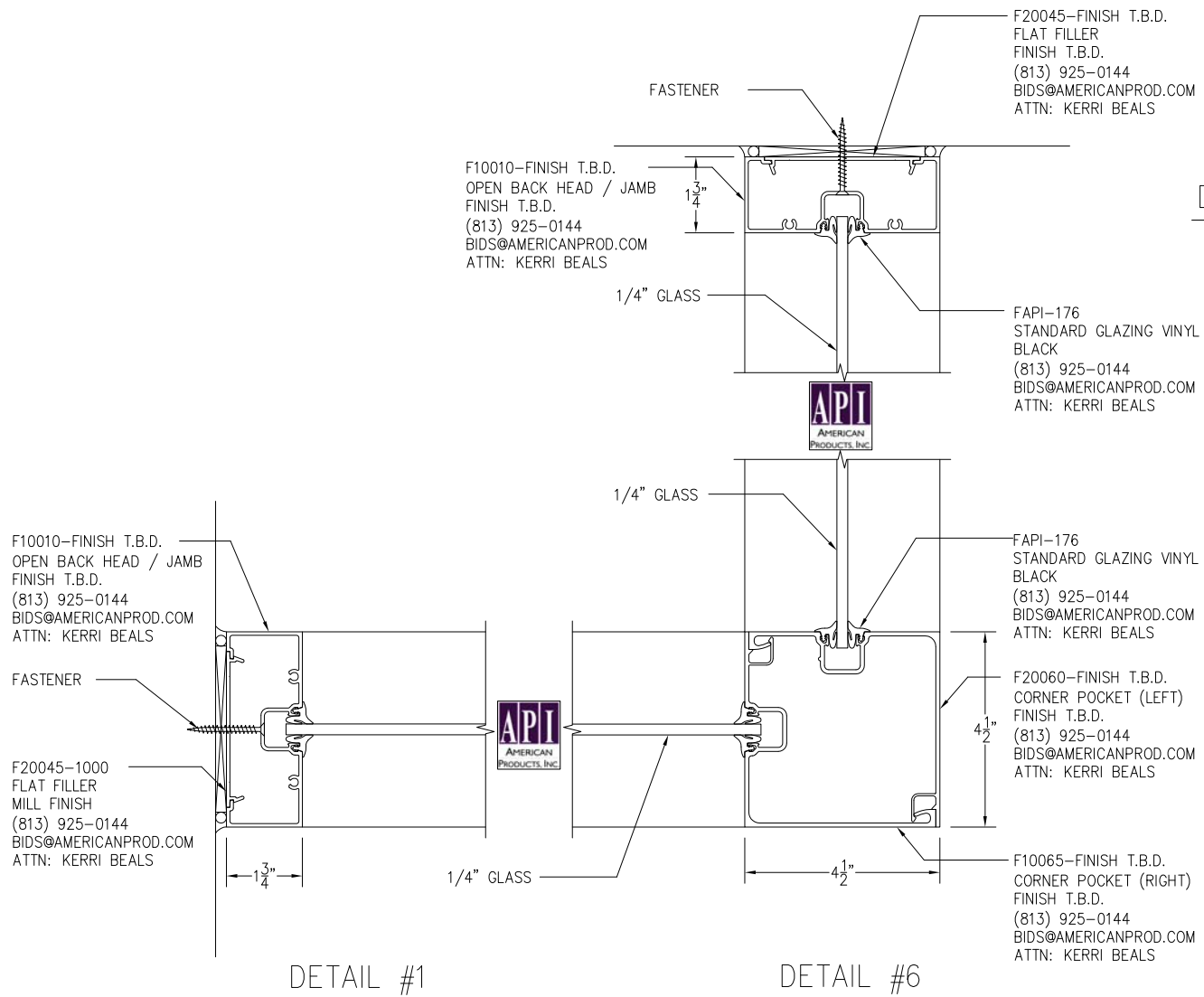
Date: 10-02-12

Sheet: 3 of 9



AMERICAN PRODUCTS, INC. (API)
12157 W. LINEBAUGH AVENUE #335
TAMPA, FL 33626
CONTACT: KERRI BEALS
PH (813) 925-0144
WWW.AMERICANPROD.COM

PLAN SECTION WITH 4-1/2" CORNER ASSEMBLY



DETAIL #1

DETAIL #6

API Recommends that this note appear with storefront elevations and section view details in your blueprints.

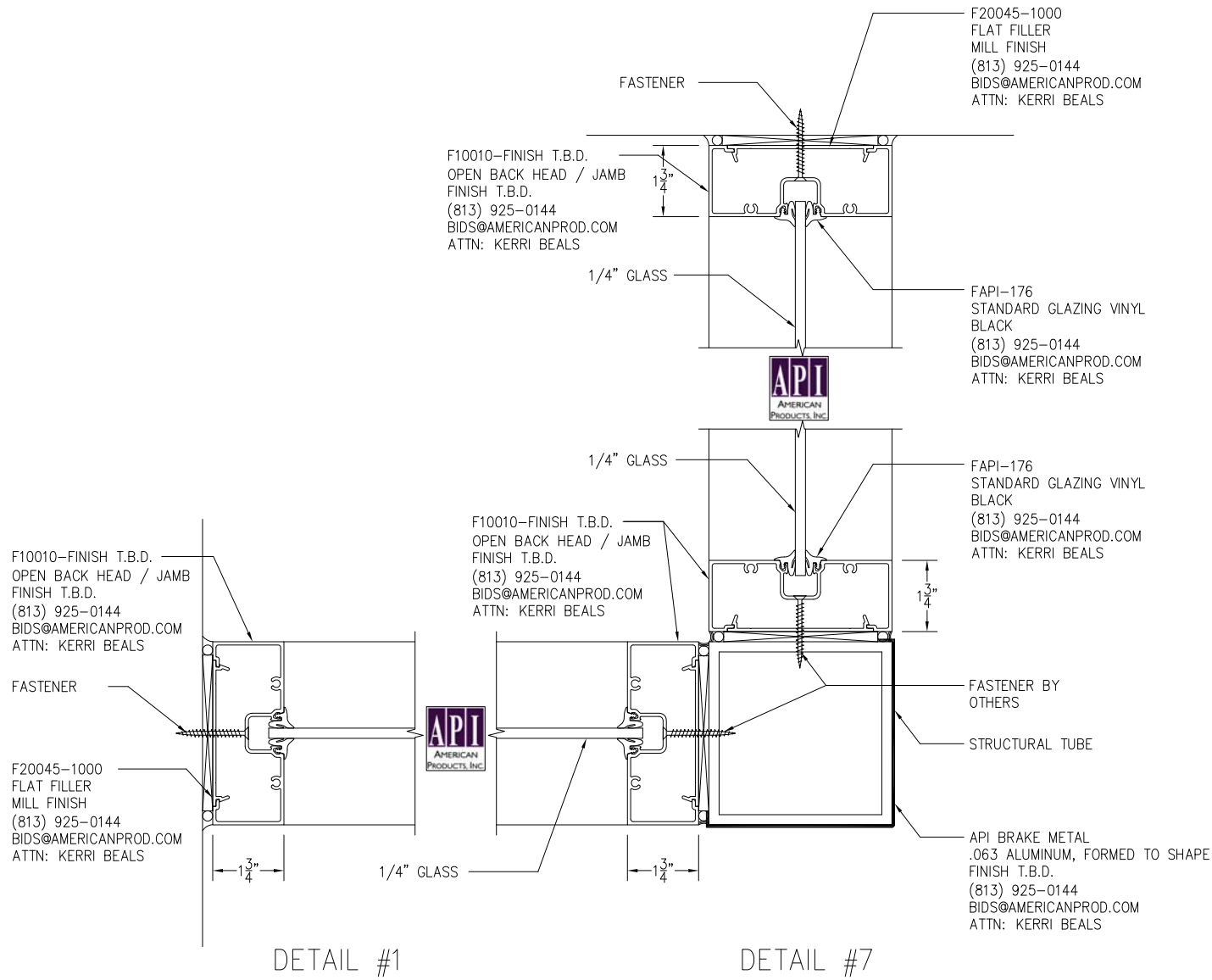
Storefront and related materials provided by American Products, Inc. (API). No substitutions without written consent from store owner/ Architect. API (813) 925-0144

Customer: API In House	
Assembly: 13/4" x 4-1/2" Flush Glaze for 1/4" Glass	
Scale: N.T.S.	
Drawn By: SMB	
Date: 10-02-12	Sheet: 4 of 9



AMERICAN PRODUCTS, INC. (API)
12157 W. LINEBAUGH AVENUE #335
TAMPA, FL 33626
CONTACT: KERRI BEALS
PH (813) 925-0144
WWW.AMERICANPROD.COM

PLAN SECTION WITH STRUCTURAL COLUMN



API Recommends that this note appear with storefront elevations and section view details in your blueprints.

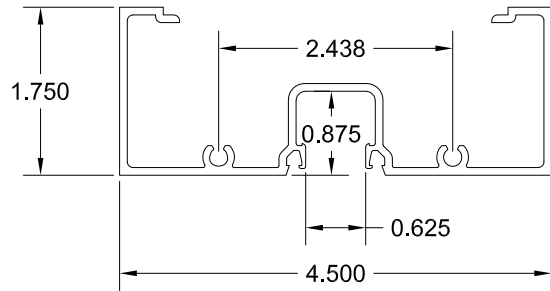
Storefront and related materials provided by American Products, Inc. (API). No substitutions without written consent from store owner/ Architect. API (813) 925-0144

Customer:	API In House
Assembly:	1-3/4" x 4-1/2" Flush Glaze for 1/4" Glass
Scale:	N.T.S.
Drawn By:	SMB
Date:	10-02-12
Sheet:	5 of 9

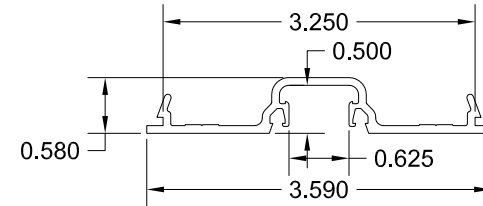


AMERICAN PRODUCTS, INC. (API)
12157 W. LINEBAUGH AVENUE #335
TAMPA, FL 33626
CONTACT: KERRI BEALS
PH (813) 925-0144
WWW.AMERICANPROD.COM

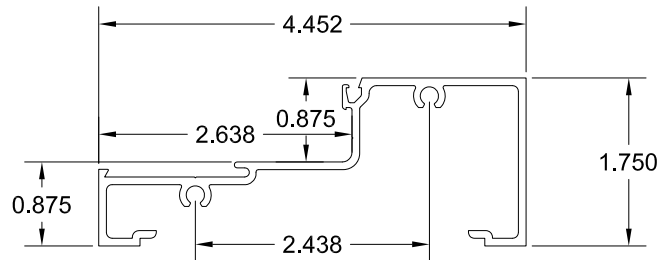
F10010-OPEN BACK HEAD / JAMB



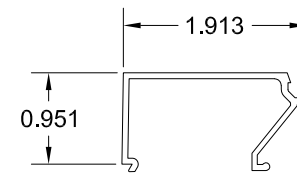
F10015-SHALLOW POCKET FILLER



F10020-OPEN BACK HORIZONTAL / SILL



F10025-GLASS STOP



API Recommends that this note appear with storefront elevations and section view details in your blueprints.

Storefront and related materials provided by American Products, Inc. (API). No substitutions without written consent from store owner/ Architect. API (813) 925-0144

Customer: API In House

Assembly: 1-3/4" x 4-1/2" Flush Glaze for 1/4" Glass

Scale: N.T.S.

Drawn By: SMB

Date: 10-02-12

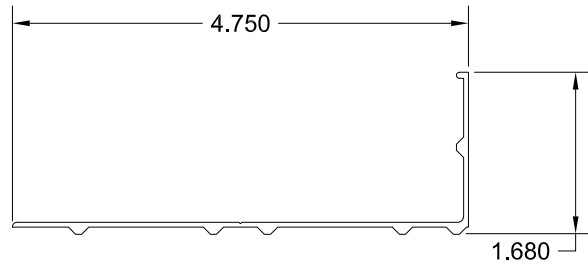
Sheet: 6 of 9



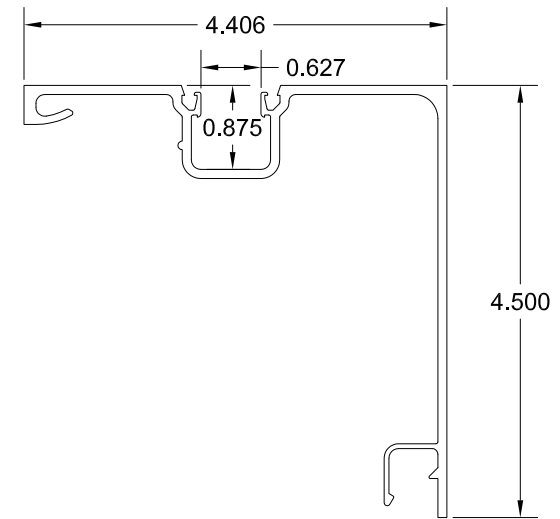
AMERICAN PRODUCTS, INC.

AMERICAN PRODUCTS, INC. (API)
12157 W. LINEBAUGH AVENUE #335
TAMPA, FL 33626
CONTACT: KERRI BEALS
PH (813) 925-0144
WWW.AMERICANPROD.COM

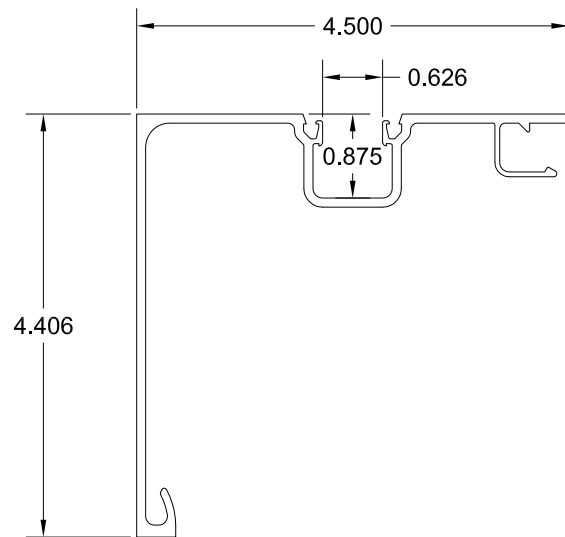
F10050-SILL FLASHING



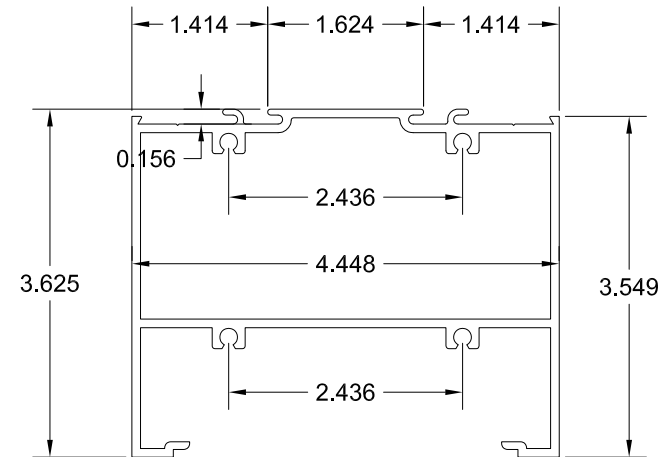
F10060-CORNER POST (LEFT)



F10065-CORNER POST (RIGHT)



F10079-4-1/2" SIDELITE BASE



API Recommends that this note appear with storefront elevations and section view details in your blueprints.

Storefront and related materials provided by American Products, Inc. (API). No substitutions without written consent from store owner/Architect. API (813) 925-0144

Customer: API In House

Assembly: 1-3/4" x 4-1/2" Flush Glaze for 1/4" Glass

Scale: N.T.S.

Drawn By: SMB

Date: 10-02-12

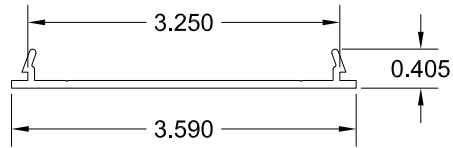
Sheet: 7 of 9



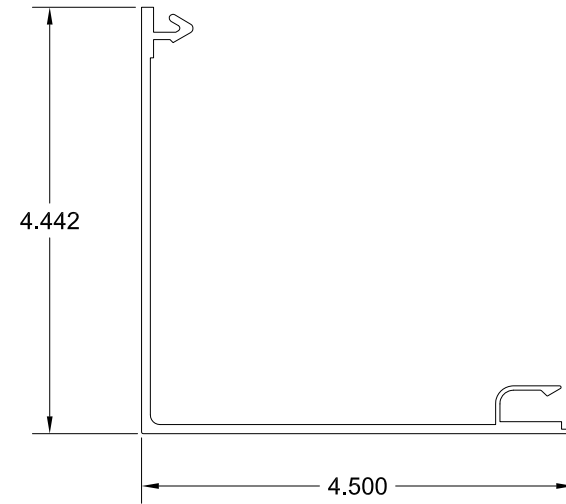
AMERICAN PRODUCTS, INC.

AMERICAN PRODUCTS, INC. (API)
12157 W. LINEBAUGH AVENUE #335
TAMPA, FL 33626
CONTACT: KERRI BEALS
PH (813) 925-0144
WWW.AMERICANPROD.COM

F20045-FLAT FILLER



F10075-SLICK CORNER



API Recommends that this note appear with storefront elevations and section view details in your blueprints.

Storefront and related materials provided by American Products, Inc. (API). No substitutions without written consent from store owner/ Architect. API (813) 925-0144

Customer: API In House

Assembly: 1-3/4" x 4-1/2" Flush Glaze for 1/4" Glass

Scale: N.T.S.

Drawn By: SMB

Date: 10-02-12

Sheet: 8 of 9



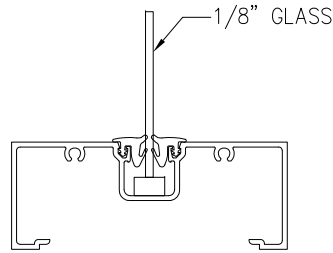
AMERICAN PRODUCTS, INC.

AMERICAN PRODUCTS, INC. (API)
 12157 W. LINEBAUGH AVENUE #335
 TAMPA, FL 33626
 CONTACT: KERRI BEALS
 PH (813) 925-0144
 WWW.AMERICANPROD.COM

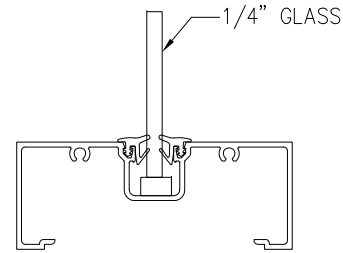
	GLASS SIZE- 1-3/8" POCKET							
	1"	7/8"	3/4"	5/8"	1/2"	3/8"	1/4"	1/8"
F-API-176							X	
F-API-129						X		
F-API-177								X

GLASS IN FILL: ANY OF ABOVE
POCKET SIZE: 1.375"

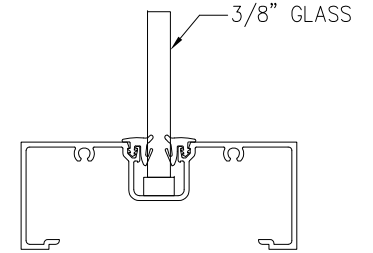
F-API-177



F-API-176



F-API-129



API Recommends that this note appear with storefront elevations and section view details in your blueprints.

Storefront and related materials provided by American Products, Inc. (API). No substitutions without written consent from store owner/ Architect. API (813) 925-0144

Customer: API In House

Assembly: 1-3/4" x 4-1/2" Flush Glaze for 1/4" Glass

Scale: N.T.S

Drawn By: SMB

Date: 10-02-12

Sheet: 9 of 9



AMERICAN PRODUCTS, INC.

AMERICAN PRODUCTS, INC. (API)
12157 W. LINEBAUGH AVENUE #335
TAMPA, FL 33626
CONTACT: KERRI BEALS
PH (813) 925-0144
WWW.AMERICANPROD.COM