

*NOTE-WEATHER MEMBRANE WILL BE JOB SPECIFIC.

API Recommends that this note appear with storefront elevations and section view details in your blueprints.

Storefront and related materials provided by American Products, Inc. (API). No substitutions without written consent from store owner/ Architect. API (813) 925-0144

Customer: API

Assembly: DRY GLAZE ACM

Drawn By: SW

Date: 12/14/10

Revision: GB

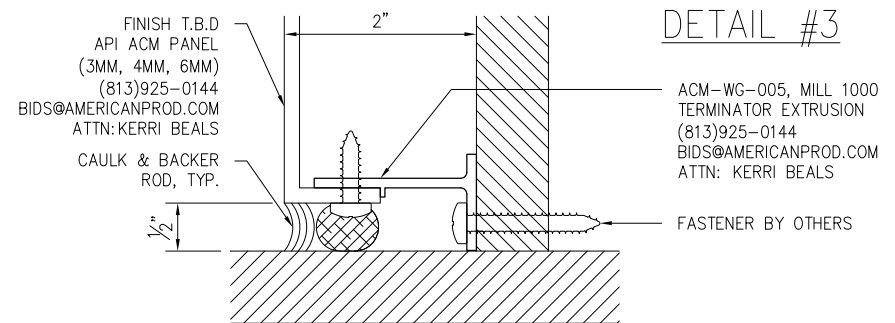
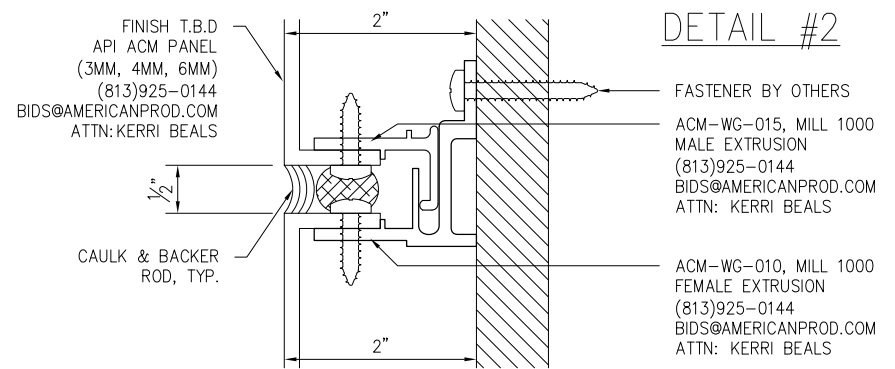
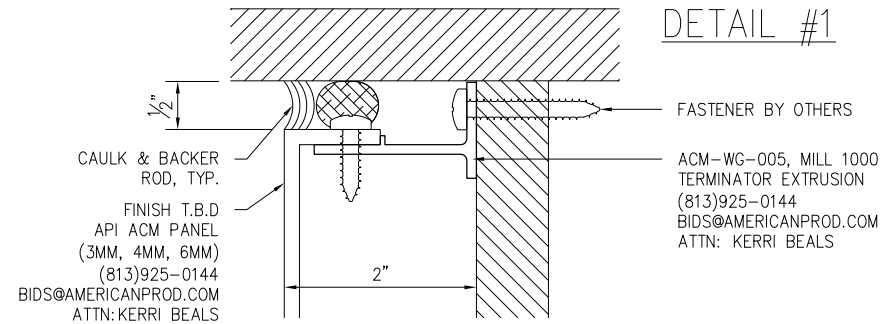
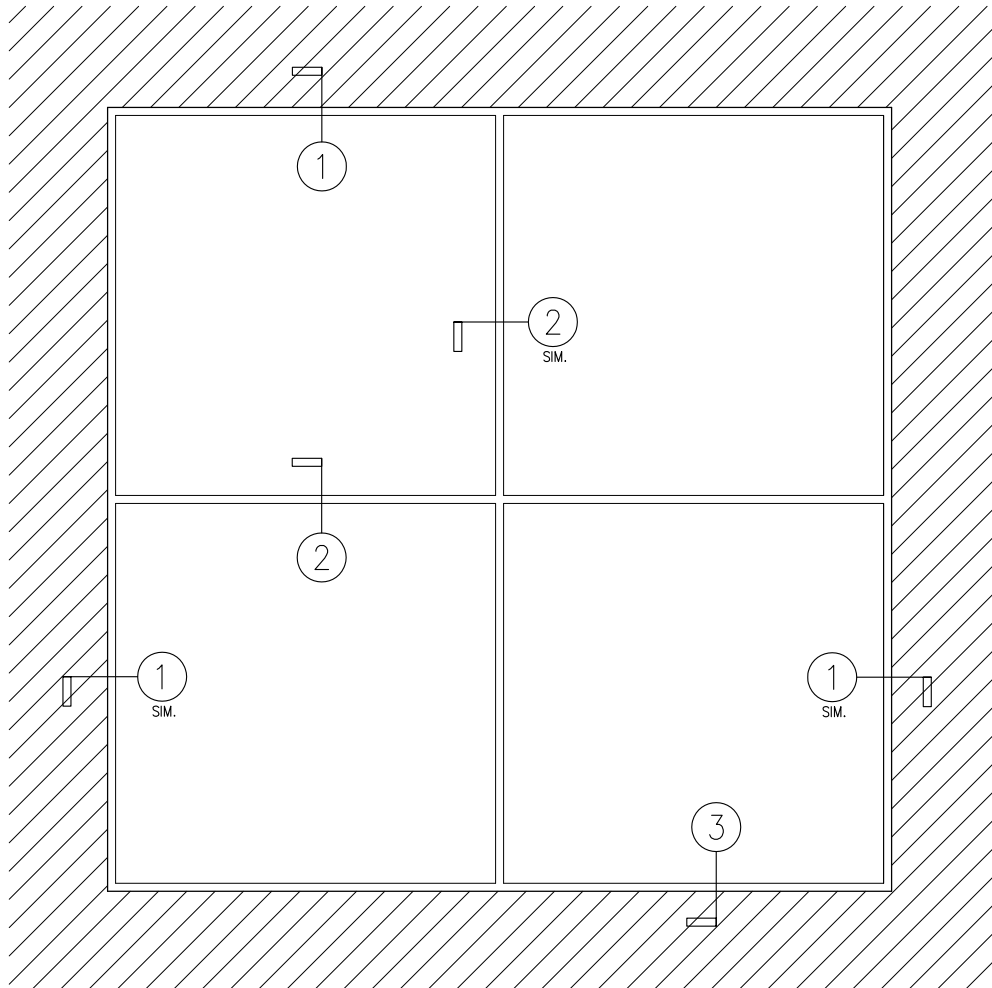
Date: 05/06/13

Scale: N.T.S

Sheet:



AMERICAN PRODUCTS, INC. (API)
12157 W. LINEBAUGH AVENUE #335
TAMPA, FL 33626
CONTACT: KERRI BEALS
PH (813) 925-0144
WWW.AMERICANPROD.COM



API Recommends that this note appear with storefront elevations and section view details in your blueprints.

Storefront and related materials provided by American Products, Inc. (API). No substitutions without written consent from store owner/ Architect. API (813) 925-0144

Customer: API IN-HOUSE

Assembly: WET GLAZE ACM

Drawn By: SW

Date: 12/13/2010

Revision: GB

Date: 05/05/2014

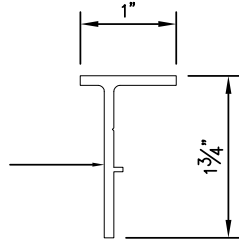
Scale: N.T.S

Sheet:

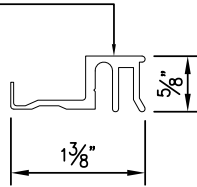


AMERICAN PRODUCTS, INC. (API)
12157 W. LINEBAUGH AVENUE #335
TAMPA, FL 33626
CONTACT: KERRI BEALS
PH (813) 925-0144
WWW.AMERICANPROD.COM

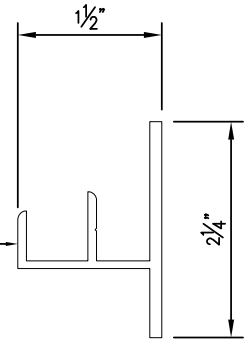
ACM-WG-005, 1000
 TERMINATOR EXTRUSION
 MILL FINISH
 (813)925-0144
 BIDS@AMERICANPROD.COM
 ATTN: KERRI BEALS



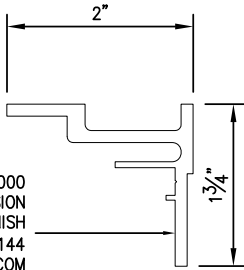
ACM-DG-050, 1000
 FRAME EXTRUSION
 MILL FINISH
 (813)925-0144
 BIDS@AMERICANPROD.COM
 ATTN: KERRI BEALS



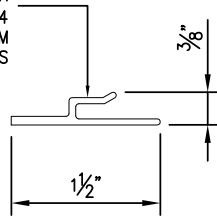
ACM-00-100, 1000
 STIFFENER EXTRUSION
 TYPE "A"
 MILL FINISH
 (813)925-0144
 BIDS@AMERICANPROD.COM
 ATTN: KERRI BEALS



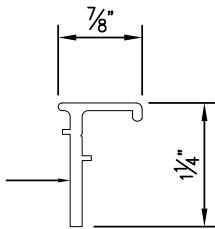
ACM-WG-010, 1000
 FEMALE EXTRUSION
 MILL FINISH
 (813)925-0144
 BIDS@AMERICANPROD.COM
 ATTN: KERRI BEALS



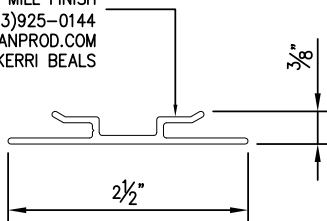
ACM-DG-055, 1000
 MODIFIED CLIP EXTRUSION
 MILL FINISH
 (813)925-0144
 BIDS@AMERICANPROD.COM
 ATTN: KERRI BEALS



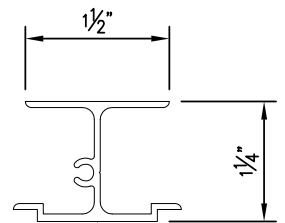
ACM-WG-015, 1000
 MALE EXTRUSION
 MILL FINISH
 (813)925-0144
 BIDS@AMERICANPROD.COM
 ATTN: KERRI BEALS



ACM-DG-060, 1000
 CLIP EXTRUSION
 MILL FINISH
 (813)925-0144
 BIDS@AMERICANPROD.COM
 ATTN: KERRI BEALS



ACM-00-105, 1000
 STIFFENER EXTRUSION
 TYPE "B"
 MILL FINISH
 (813)925-0144
 BIDS@AMERICANPROD.COM
 ATTN: KERRI BEALS

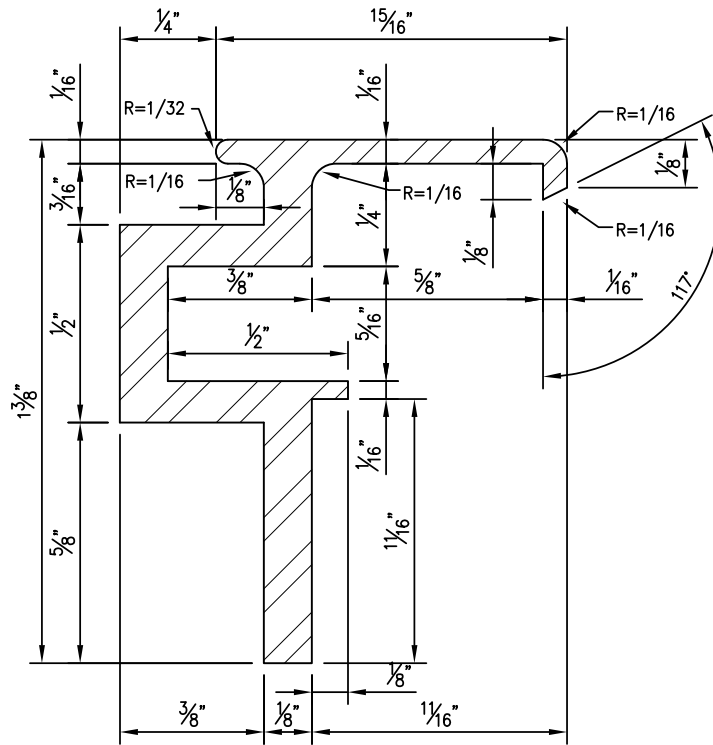


API recommends that this note appear with storefront elevations and section view details in your blueprints.
 Storefront and related materials provided by American Products, Inc. (API). No substitutions without written consent from store owner/Architect. API (813) 925-0144

Customer: API	
Assembly: ACM EXTRUSIONS	
Drawn By: PBD	Date: 03/07/11
Revision: GB	Date: 08/29/13
Scale: N.T.S	Sheet:



AMERICAN PRODUCTS, INC. (API)
 12157 W. LINEBAUGH AVENUE #335
 TAMPA, FL 33626
 CONTACT: KERRI BEALS
 PH (813) 925-0144
 WWW.AMERICANPROD.COM



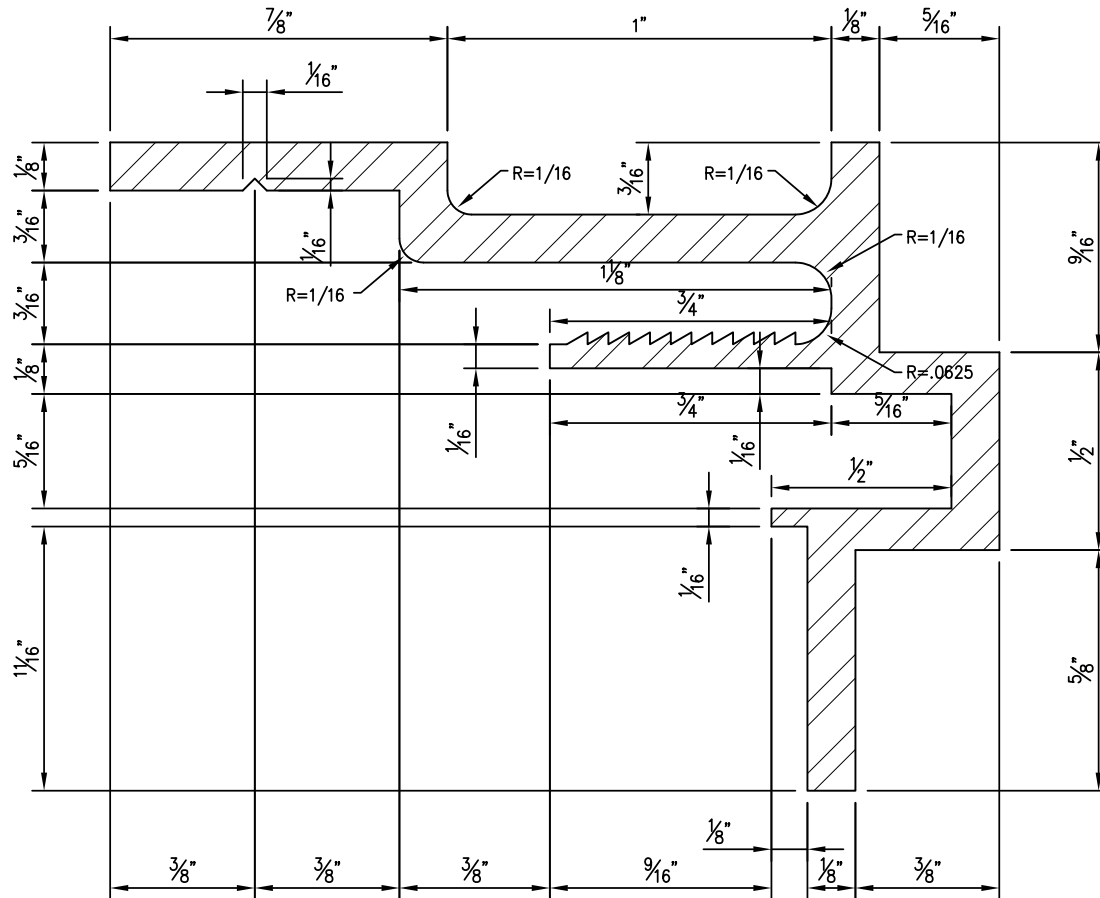
API Recommends that this note appear with storefront elevations and section view details in your blueprints.

Storefront and related materials provided by American Products, Inc. (API). No substitutions without written consent from store owner/Architect. API (813) 925-0144

Customer: API	
Assembly: ACM EXTRUSION - MALE EXTRUSION	
Drawn By: PBD	Date: 03/07/11
Revision: GB	Date: 05/06/13
Scale: N.T.S	Sheet:



AMERICAN PRODUCTS, INC. (API)
 12157 W. LINEBAUGH AVENUE #335
 TAMPA, FL 33626
 CONTACT: KERRI BEALS
 PH (813) 925-0144
 WWW.AMERIANPROD.COM



API Recommends that this note appear with storefront elevations and section view details in your blueprints.

Storefront and related materials provided by American Products, Inc. (API). No substitutions without written consent from store owner/Architect. API (813) 925-0144

Customer: API	
Assembly: ACM EXTRUSIONS - FEMALE EXTRUSION	
Drawn By: PBD	Date: 03/07/11
Revision: GB	Date: 05/06/13
Scale: N.T.S	Sheet:



AMERICAN PRODUCTS, INC. (API)
 12157 W. LINEBAUGH AVENUE #335
 TAMPA, FL 33626
 CONTACT: KERRI BEALS
 PH (813) 925-0144
 WWW.AMERICANPROD.COM