

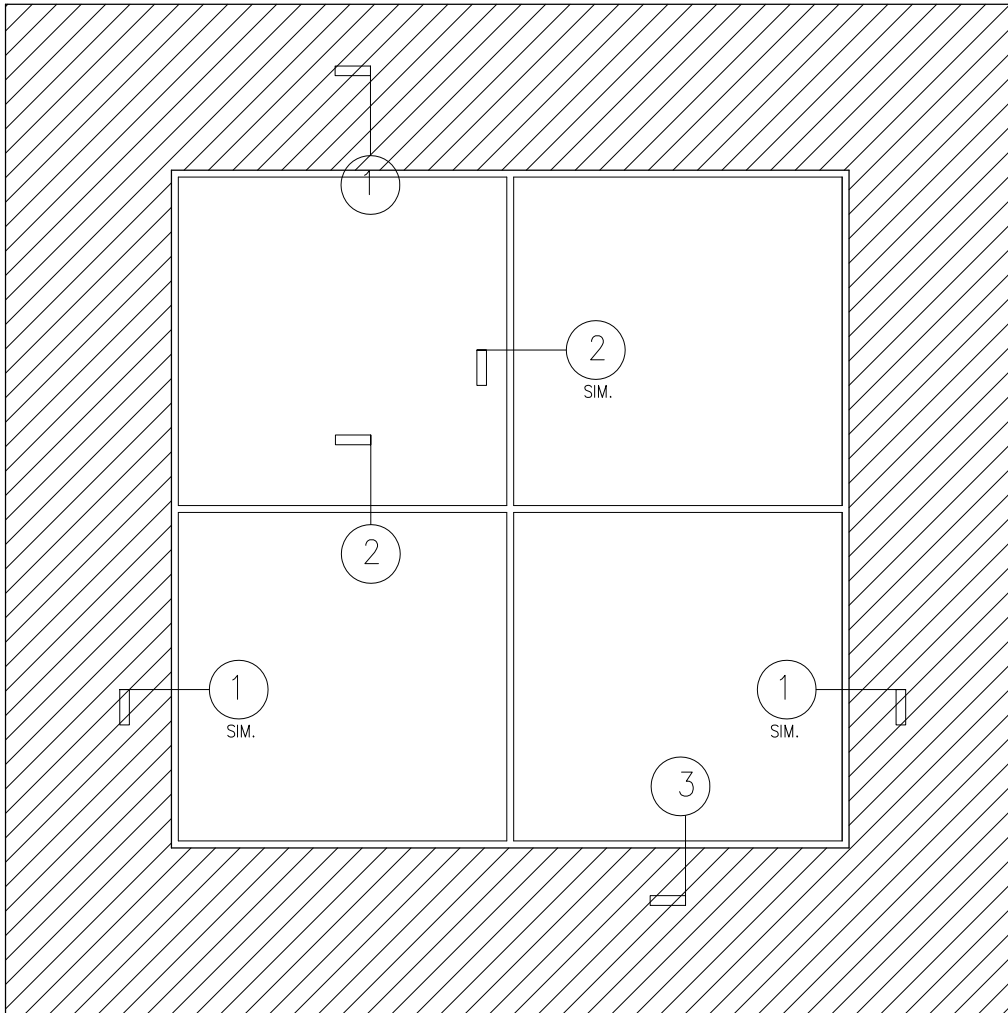
API Recommends that this note appear with storefront elevations and section view details in your blueprints.

Storefront and related materials provided by American Products, Inc. (API). No substitutions without written consent from store owner/Architect. API (813) 925-0144

Customer: API	
Assembly: WET GLAZE ACM ISOMETRIC	
Drawn By: GB	Date: 06/20/2014
Revision:	Date:
Scale: N.T.S.	Sheet:



AMERICAN PRODUCTS, INC. (API)
 12157 W. LINEBAUGH AVENUE #335
 TAMPA, FL 33626
 CONTACT: KERRI BEALS
 PH (813) 925-0144
 WWW.AMERICANPROD.COM



API Recommends that this note appear with storefront elevations and section view details in your blueprints.

Storefront and related materials provided by American Products, Inc. (API). No substitutions without written consent from store owner/Architect. API (813) 925-0144

Customer: API-IN HOUSE

Assembly: WET GLAZE ACM

Drawn By: L.B.

Date: 4/21/2015

Revision:

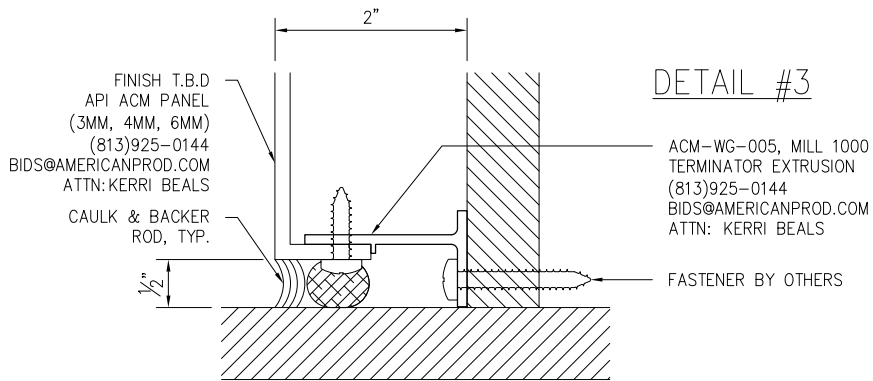
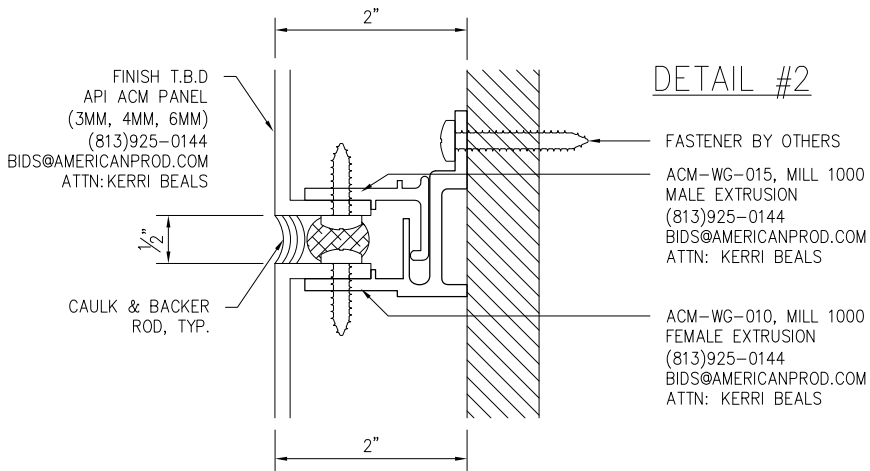
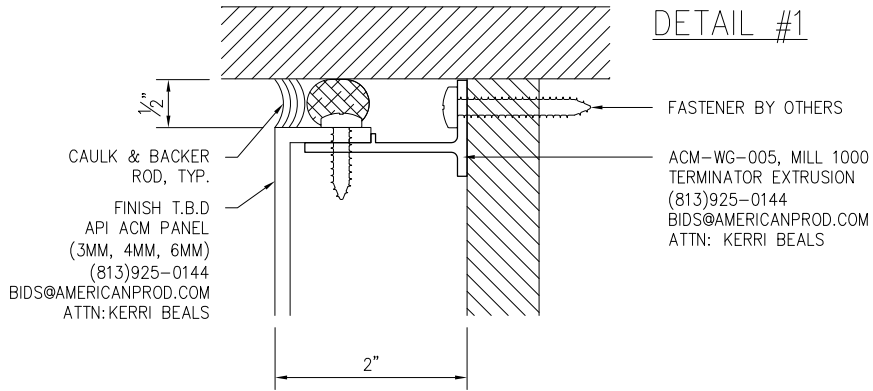
Date:

Scale: N.T.S.

Sheet: 2



AMERICAN PRODUCTS, INC. (API)
 12157 W. LINEBAUGH AVENUE #335
 TAMPA, FL 33626
 CONTACT: KERRI BEALS
 PH (813) 925-0144
 WWW.AMERICANPROD.COM



API Recommends that this note appear with storefront elevations and section view details in your blueprints.

Storefront and related materials provided by American Products, Inc. (API). No substitutions without written consent from store owner/Architect. API (813) 925-0144

Customer: API-IN HOUSE	
Assembly: WET GLAZE ACM	
Drawn By: L.B.	Date: 4/21/2015
Revision:	Date:
Scale: N.T.S.	Sheet: 3



AMERICAN PRODUCTS, INC. (API)
12157 W. LINEBAUGH AVENUE #335
TAMPA, FL 33626
CONTACT: KERRI BEALS
PH (813) 925-0144
WWW.AMERICANPROD.COM